



DARK MATTER

CREATED BY BLAKE CROUCH

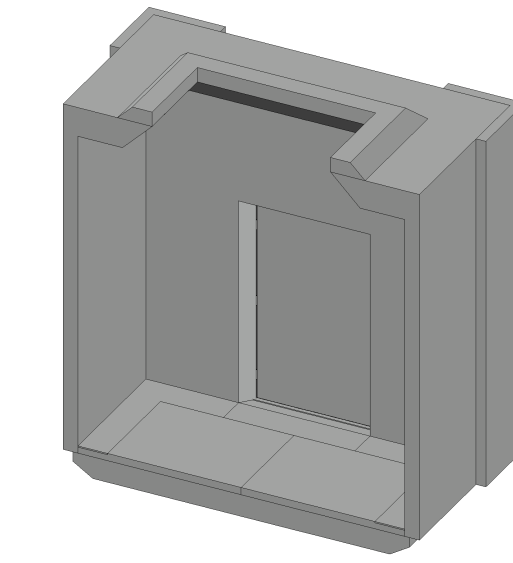
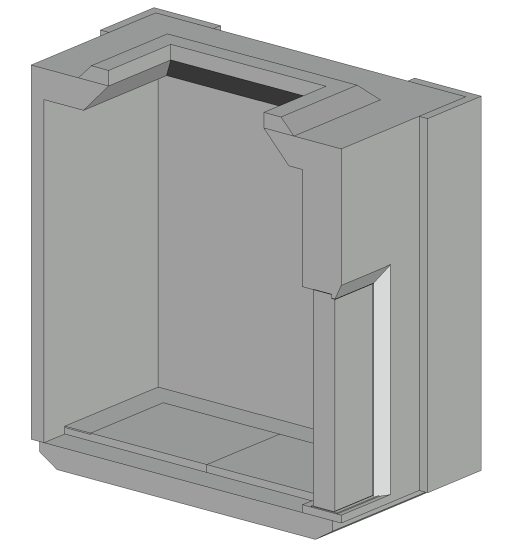
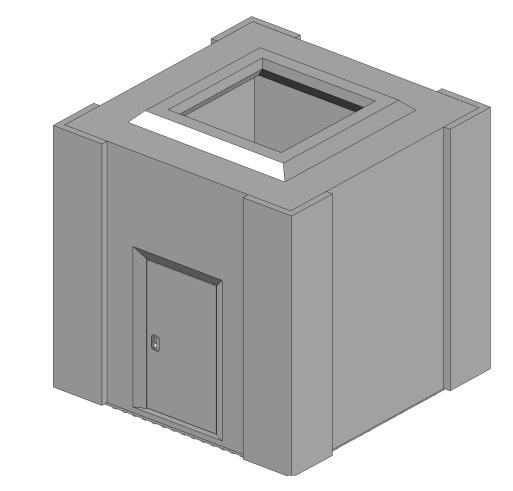
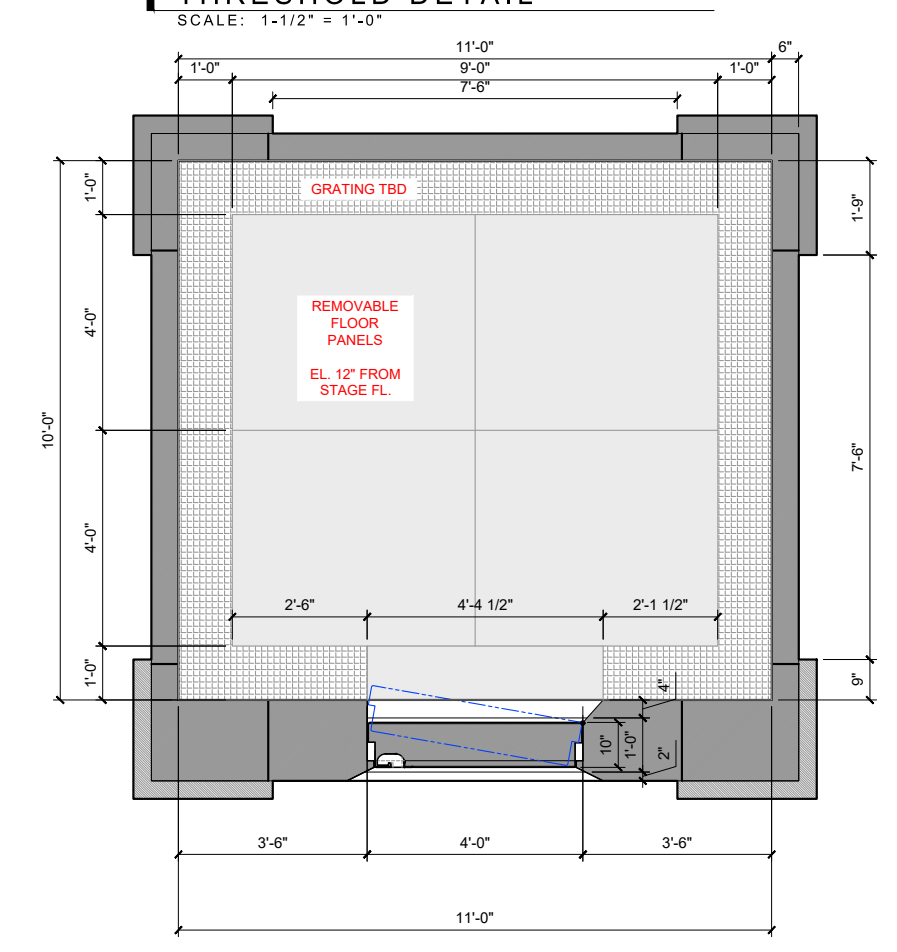
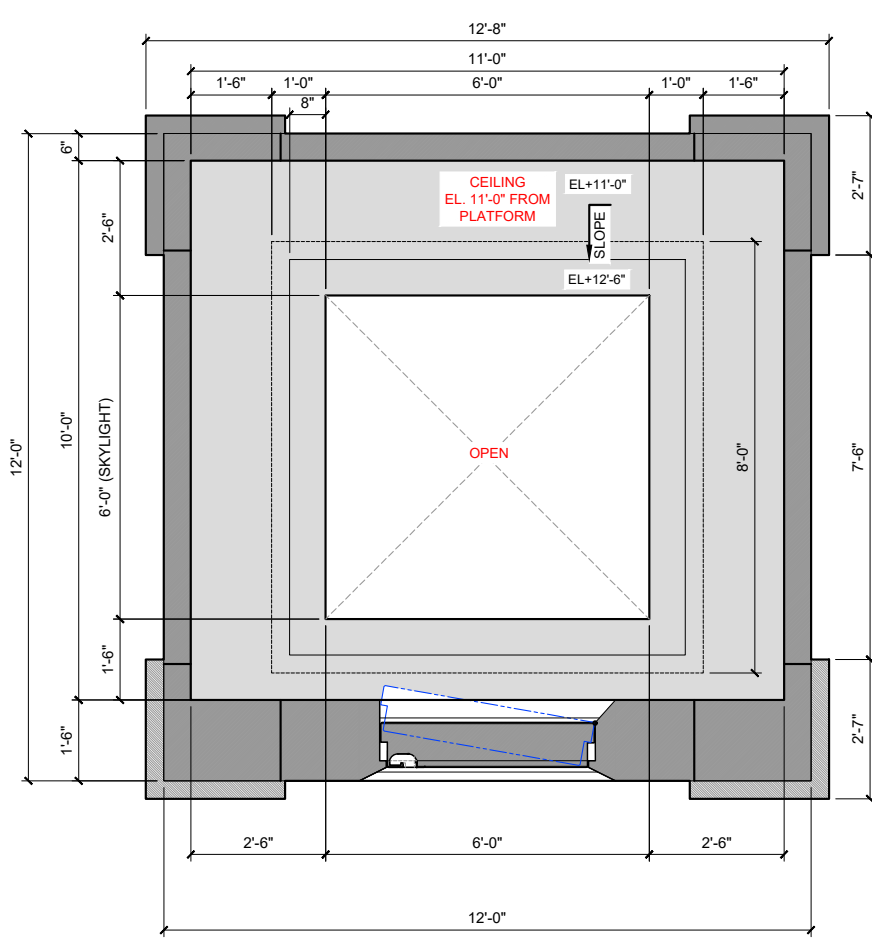
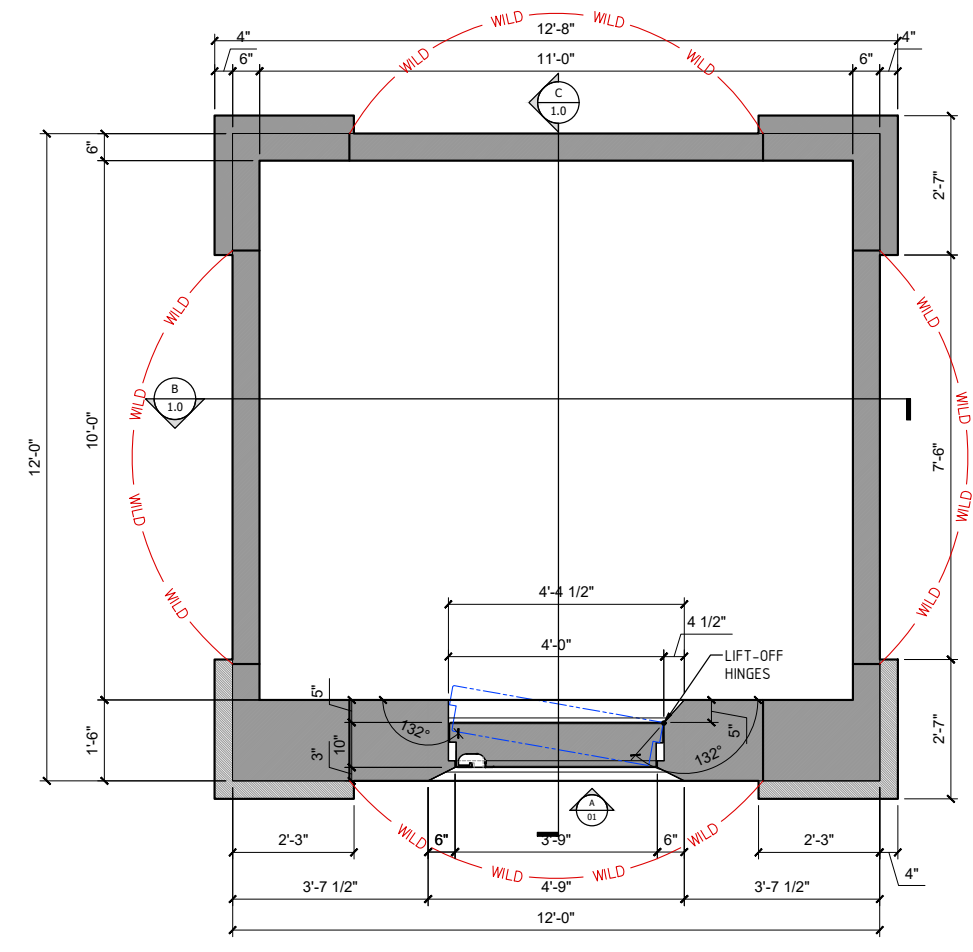
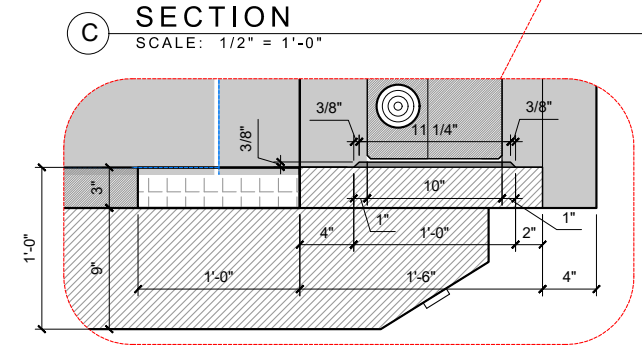
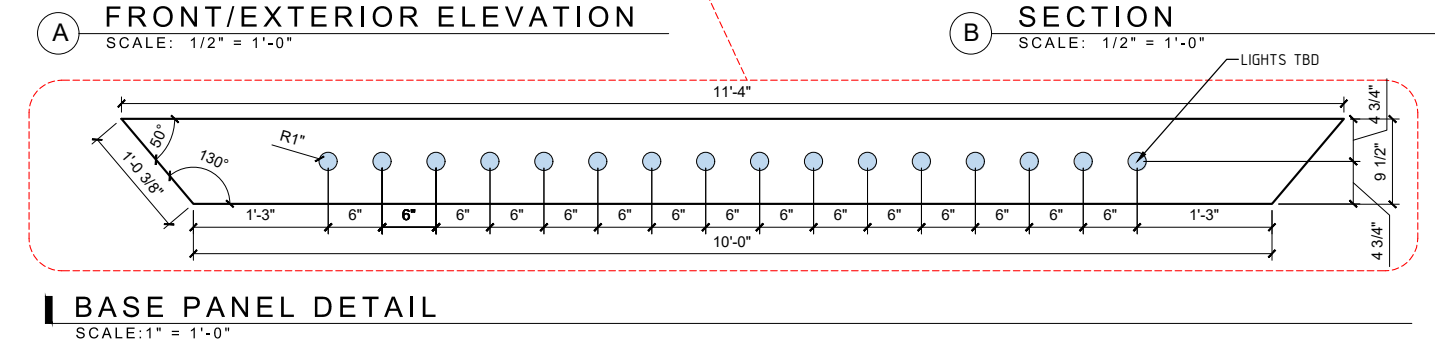
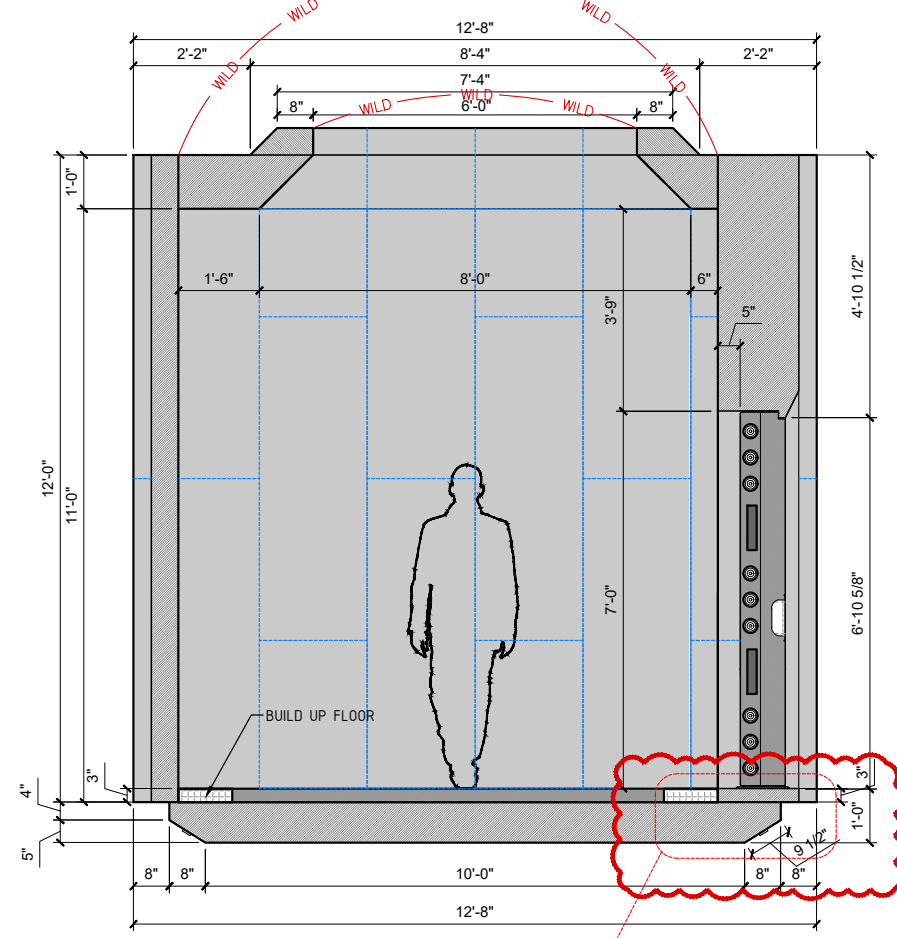
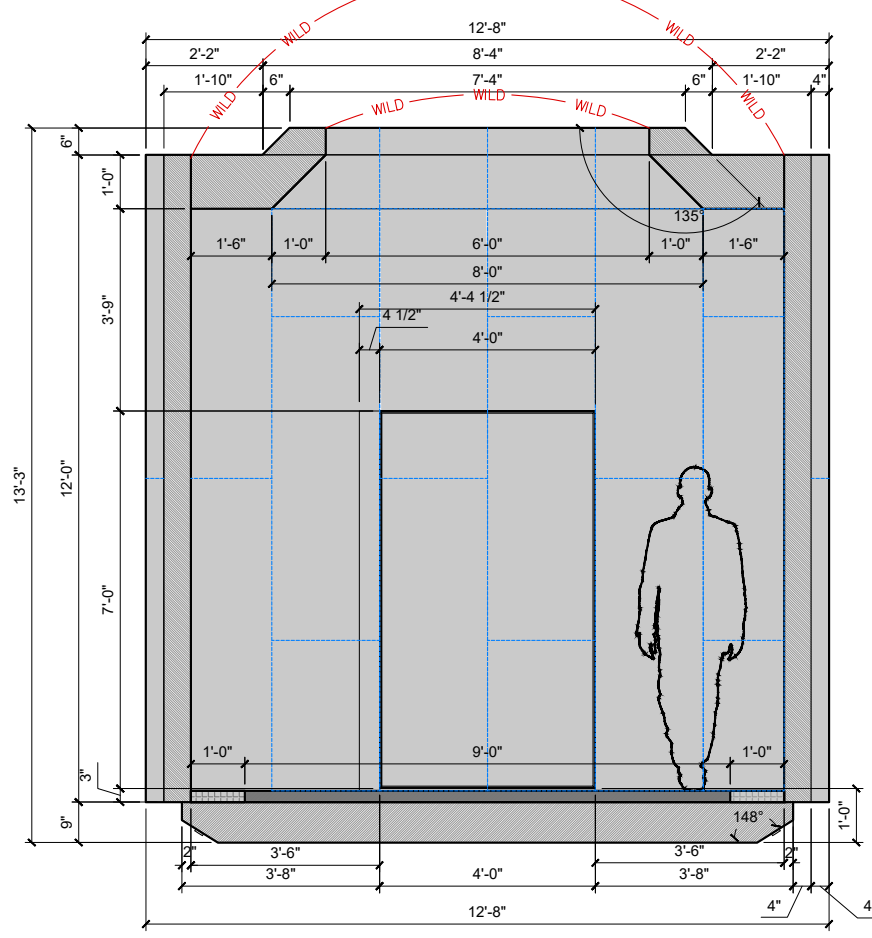
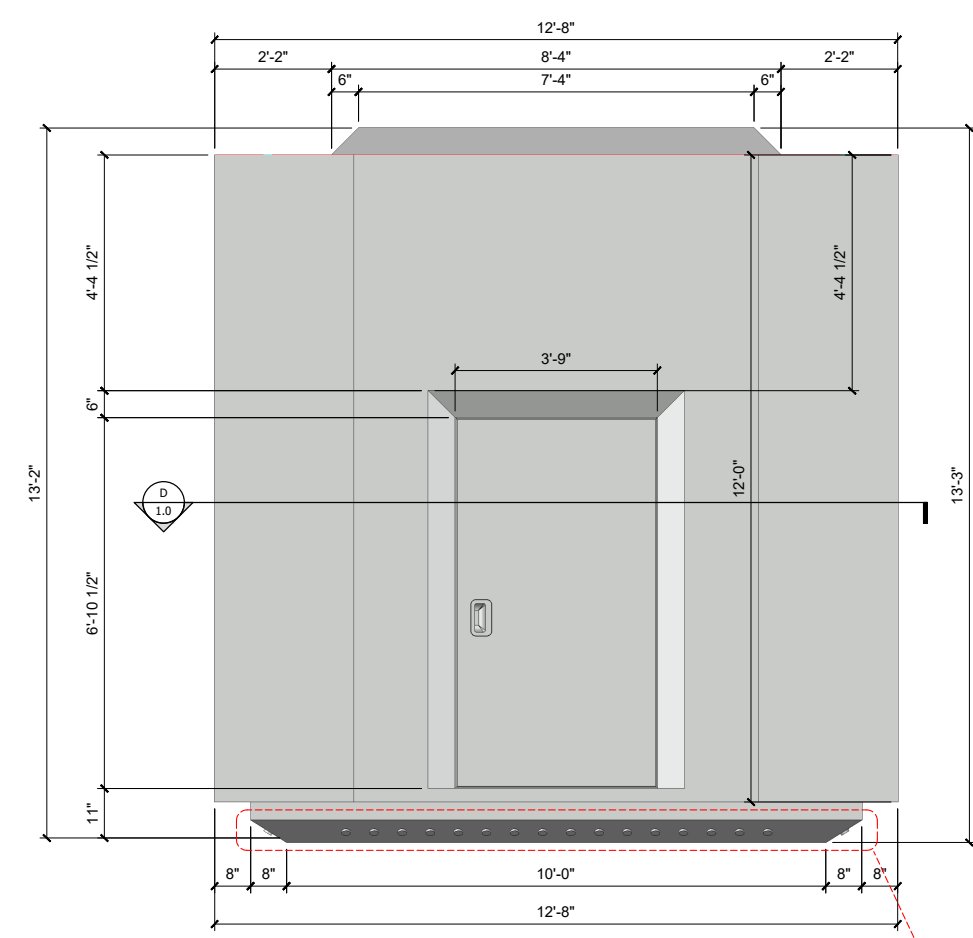


THE BOX

CONCEPT DEVELOPMENT

PATRICIO M. FARRELL • PRODUCTION DESIGNER

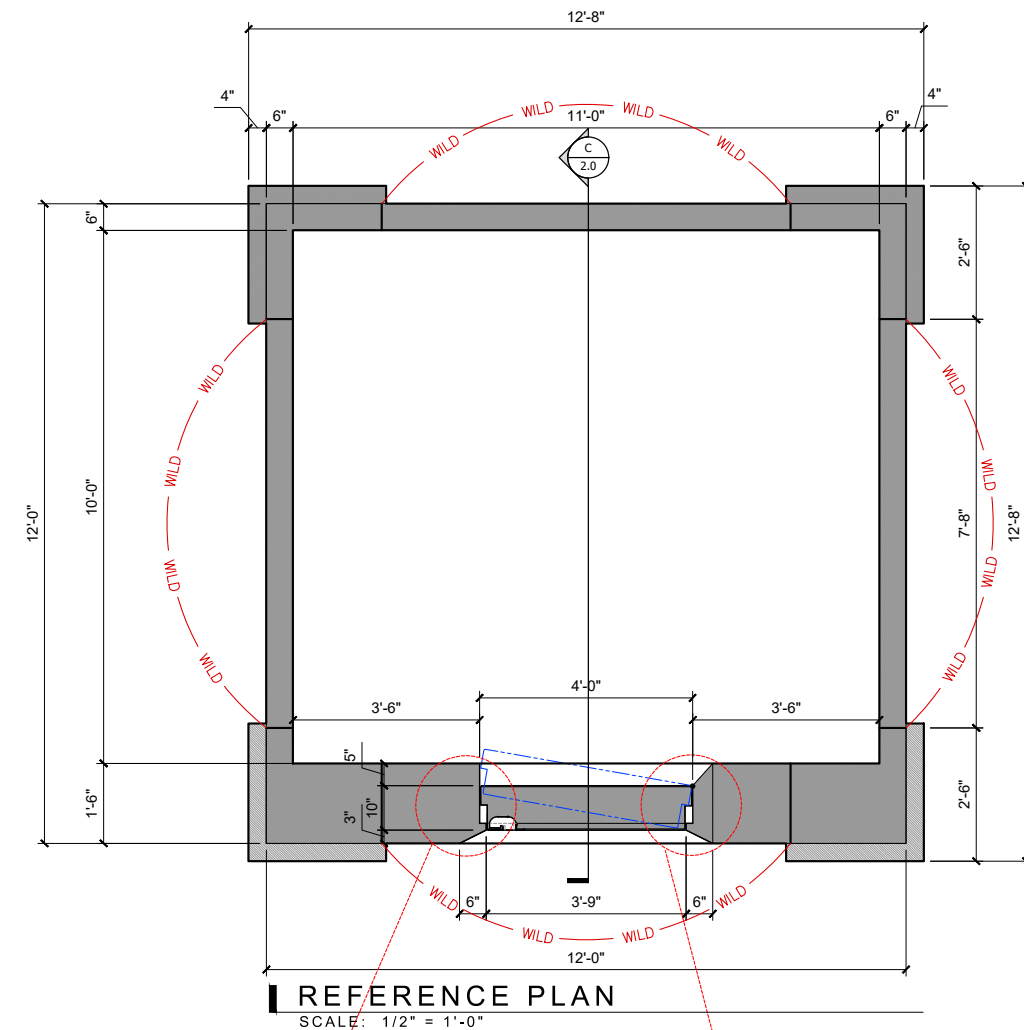
RELEASED FOR PROTOTYPE 8/10/2022



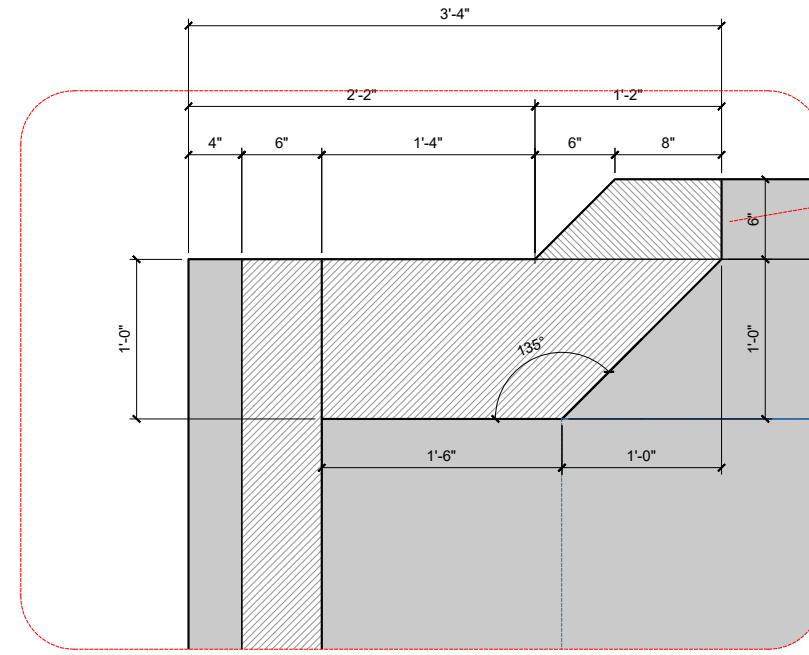
DURANGO 60623		MESQUITE PRODUCTIONS, INC.	
SHOW RUNNER: BLAKE CROUCH	PRODUCTION DESIGNER: PATRICIO FARRELL	SET NO: 310	SCALE X/X" = 1'
SET NAME: INT/EXT. BOX	SHEET: 1.0	DATE ISSUED: 2022.08.10	
DRAWING: FLOOR PLAN/ELEVATIONS	LOCATION: 31ST ST STAGES (1-3)	REVISION # 2	APPROVED:
DRAWN BY: P.OLEKSY		PROD. DES.	UPM

EXT. BOX

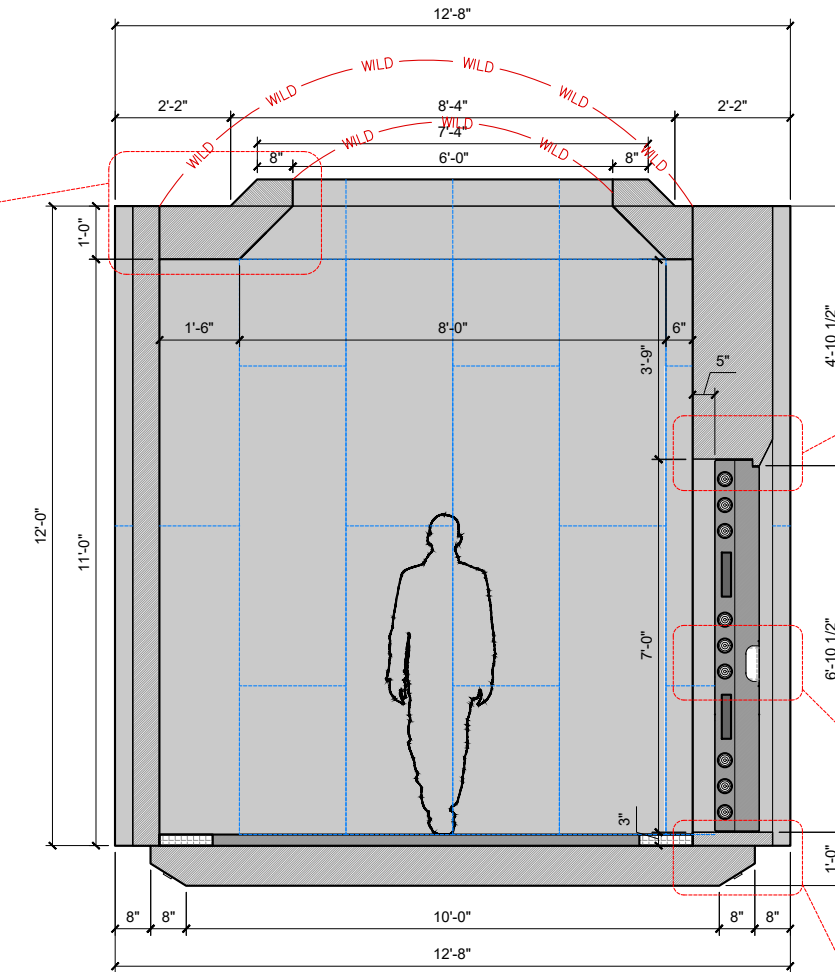
RELEASED FOR PROTOTYPE
8/05/2022



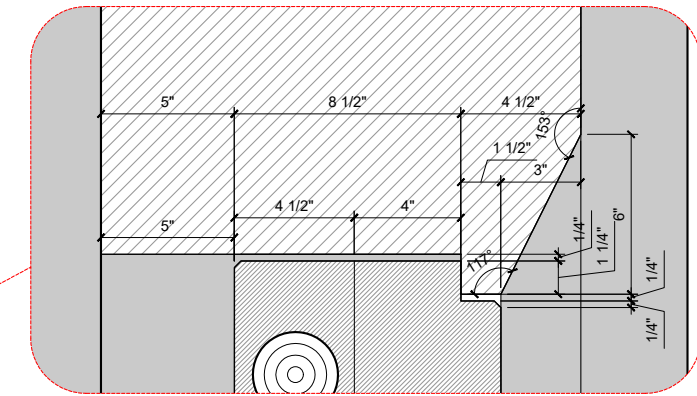
REFERENCE PLAN
SCALE: 1/2" = 1'-0"



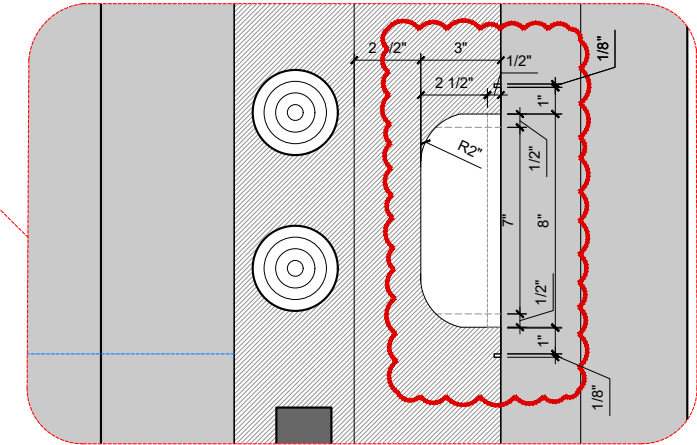
CEILING DETAIL
SCALE: 1-1/2" = 1'-0"



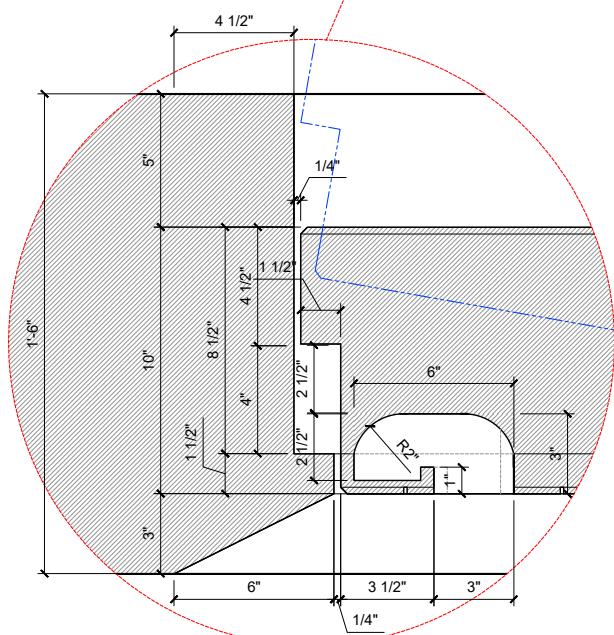
SECTION
SCALE: 1/2" = 1'-0"



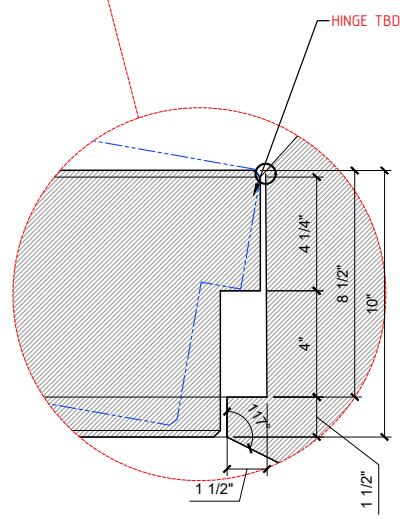
UPPER JAMB DETAIL
SCALE: 3" = 1'-0"



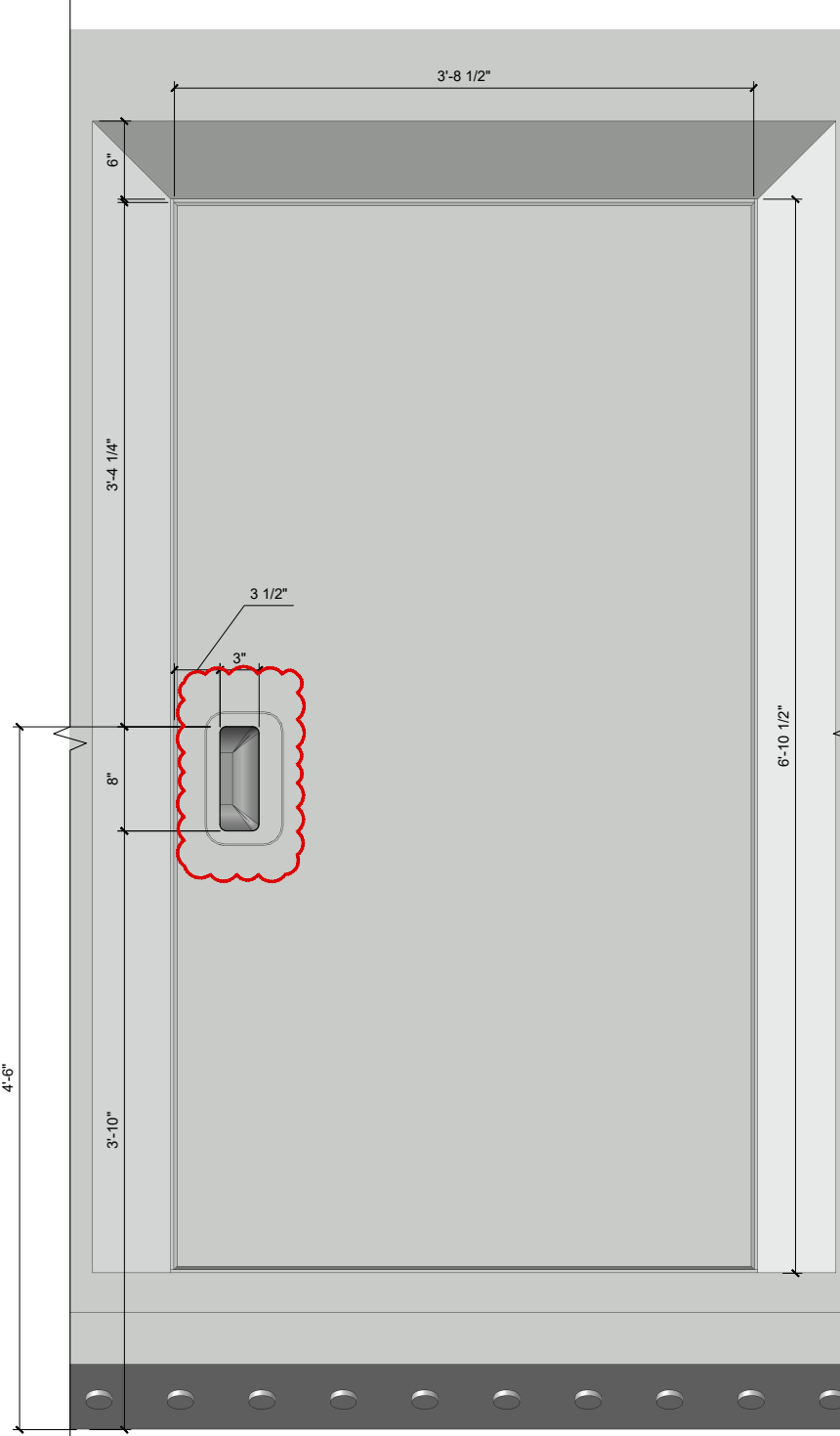
HANDLE DETAIL
SCALE: 3" = 1'-0"



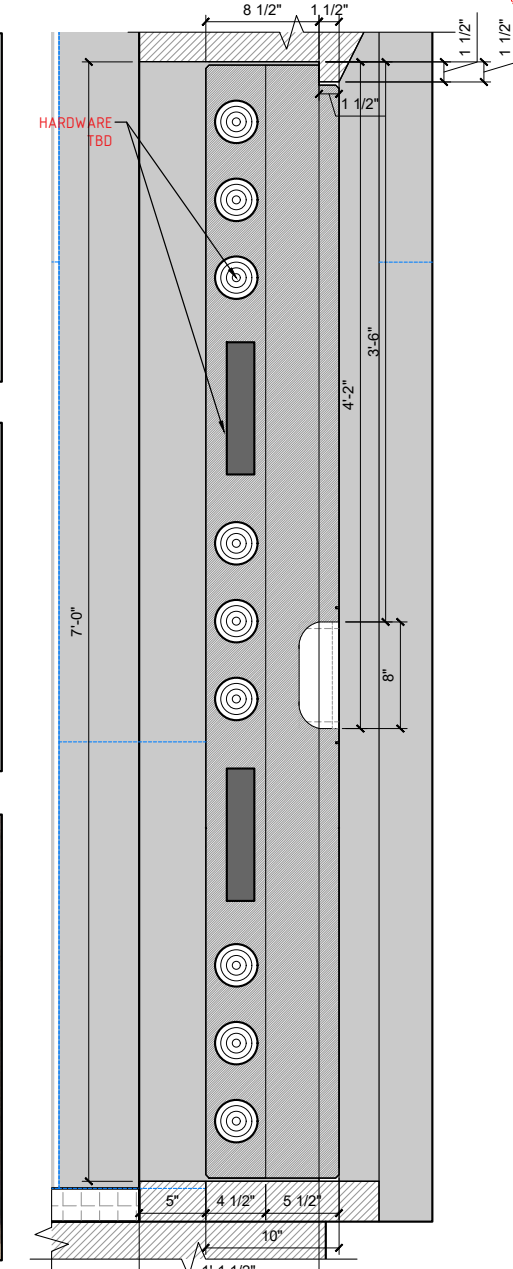
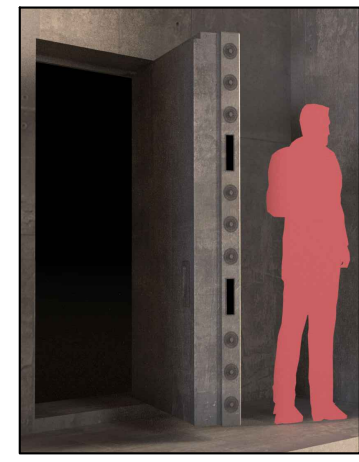
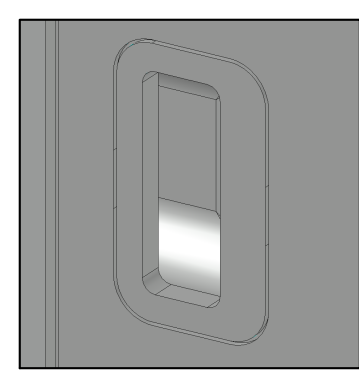
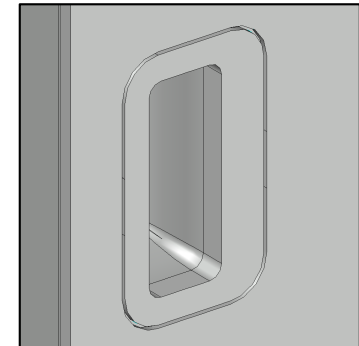
THRESHOLD DETAIL
SCALE: 3" = 1'-0"



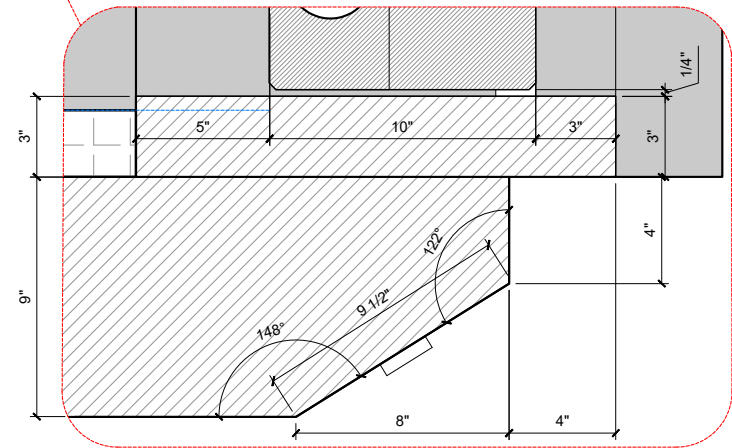
HINGE DETAIL
SCALE: 3" = 1'-0"



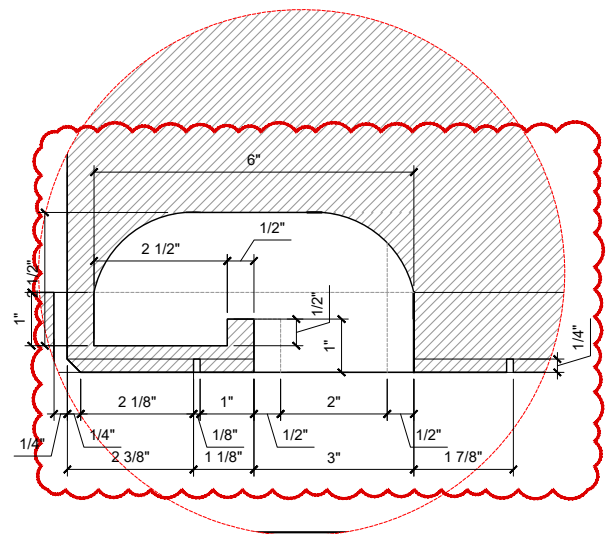
DOOR EXTERIOR ELEVATION
SCALE: 1-1/2" = 1'-0"



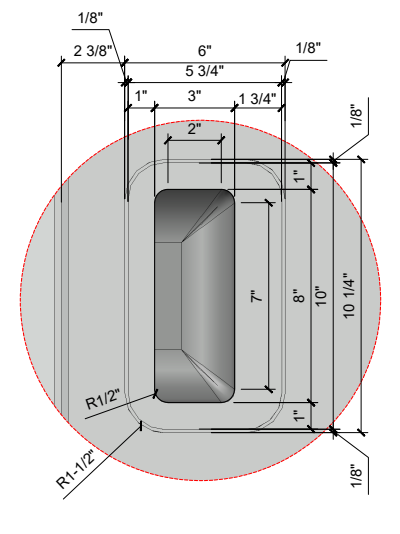
DOOR EDGE DETAIL
SCALE: 1-1/2" = 1'-0"



LOWER BASE/ JAMB DETAIL
SCALE: 3" = 1'-0"



HANDLE DETAIL
SCALE: 6" = 1'-0"



HANDLE DETAIL
SCALE: 3" = 1'-0"

DURANGO 60623		MESQUITE PRODUCTIONS, INC.	
SHOW RUNNER: BLAKE CROUCH	PRODUCTION DESIGNER: PATRICIO FARRELL	SET NO: 310	SCALE: X/X" = 1'
SET NAME: INT/EXT. BOX	SHEET: 1.3	DATE ISSUED: 2022.08.05	APPROVED:
DRAWING: BOX/DOOR DETAILS	LOCATION: 31ST ST STAGES (1-3)	REVISION # 3	PROD. DES. UPM
DRAWN BY: P.OLEKSY			



FRONT

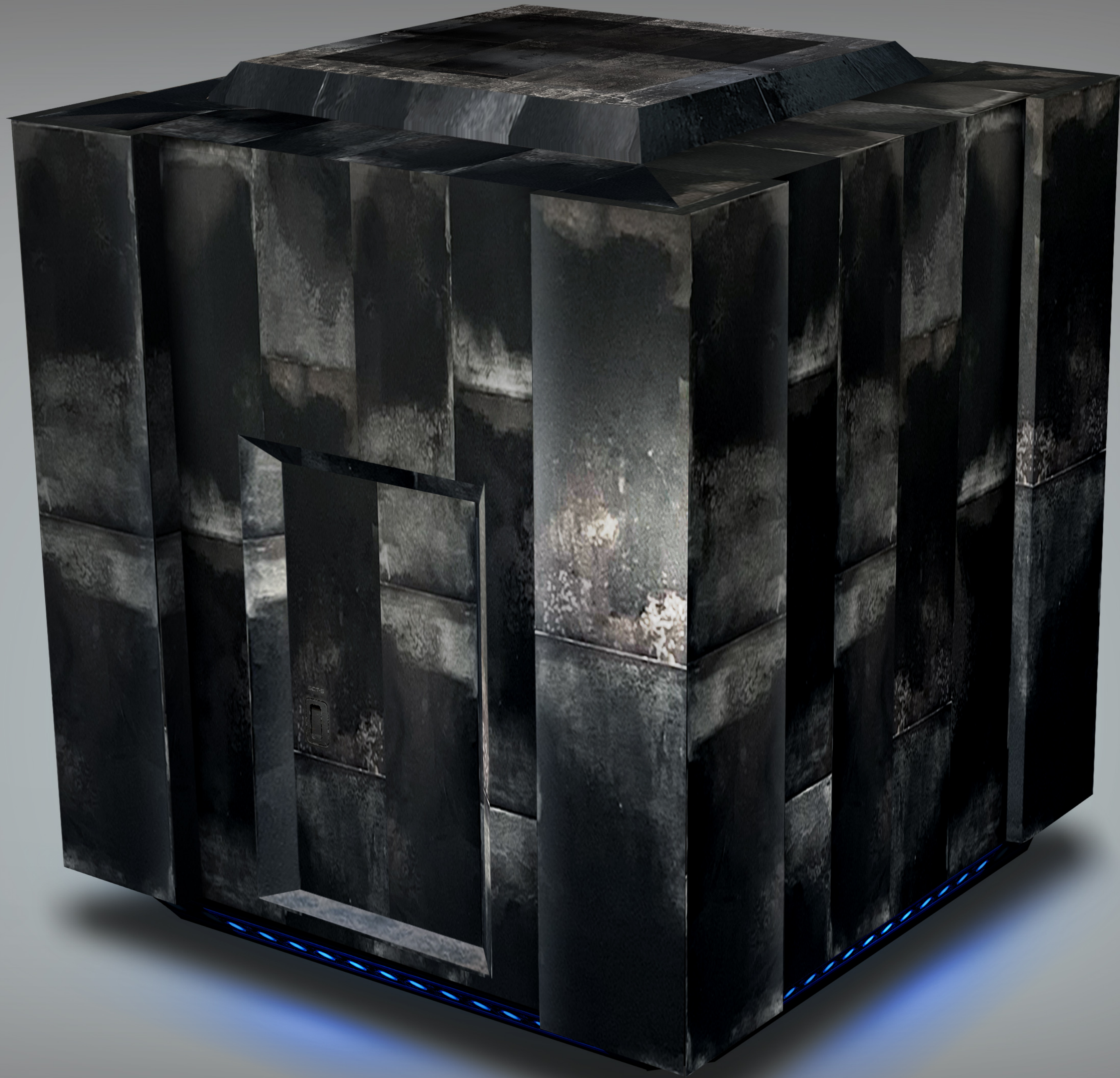


SIDE

EXT. BOX



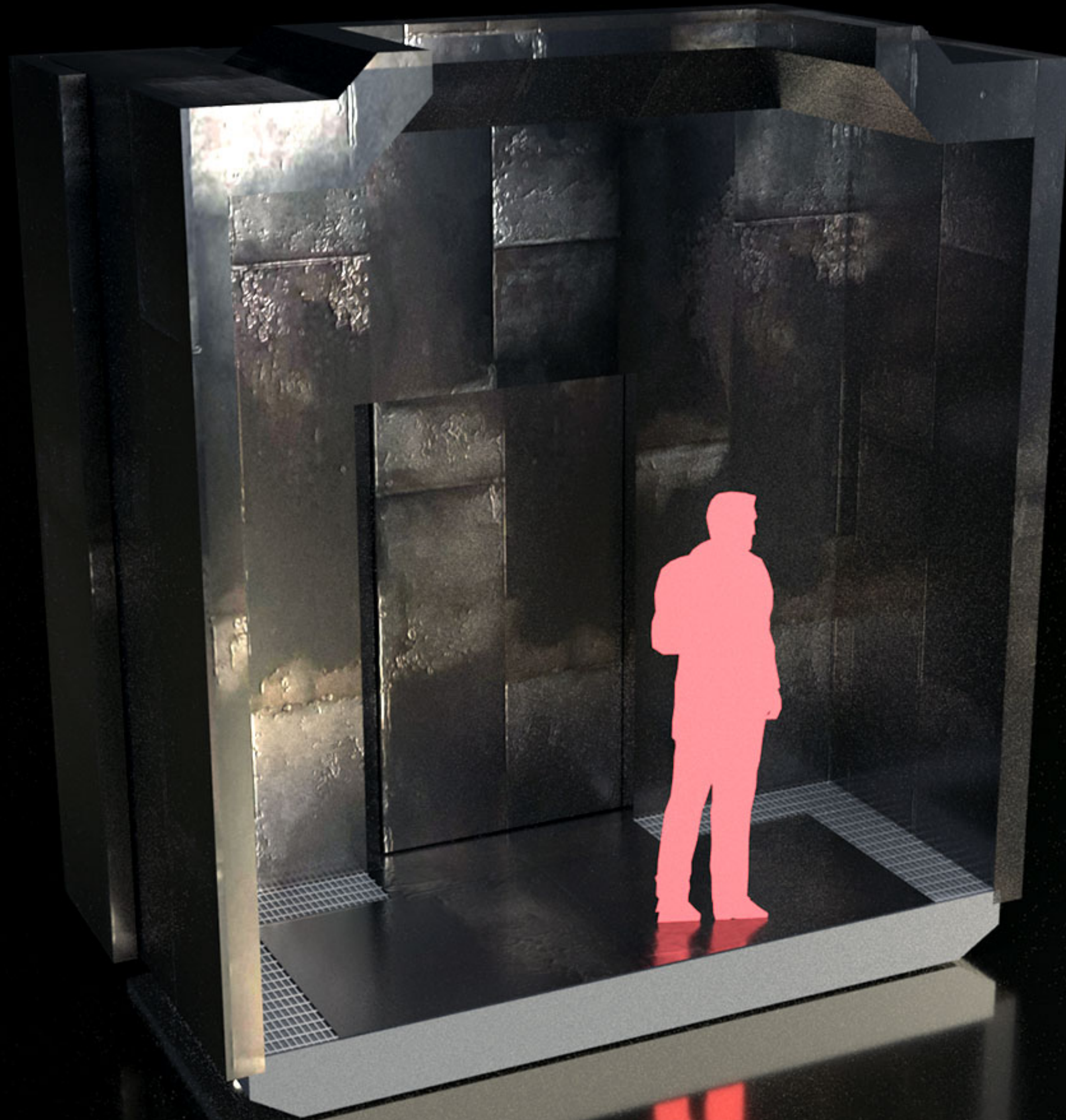
EXT. BOX



EXT. BOX



INT/EXT. BOX



INT/EXT. BOX



EXT. BOX



INT. ABANDONED POWER PLANT



INT. ABANDONED POWER PLANT



INT. VELOCITY LABS HALLWAY

HALLWAY



INT. VELOCITY LABS - HANGAR

INT. VELOCITY LABS - HANGAR



INT. BOX



INT. INFINITE CORRIDOR



WORLD COVERED IN ASH



WORLD COVERED IN ASH



WORLD COVERED IN ASH



WORLD COVERED IN ASH



SNOWBOUND WORLD



SNOWBOUND WORLD



SNOWBOUND WORLD



SNOWBOUND WORLD



SNOWBOUND WORLD



SNOWBOUND WORLD



SNOWBOUND WORLD



BLUE BUTTERFLY WORLD

PRODUCE

BLUE BUTTERFLY WORLD



A view from the interior of a ship's cabin looking out through a window at a stormy sea. The window frame is visible on the left and right sides. The sea is dark and turbulent, with a large wave cresting in the distance. A bright lightning bolt strikes the wave, illuminating the scene. The sky is dark and cloudy, with rain falling. The text "EXTREME STORM WORLD" is overlaid in orange at the bottom left.

EXTREME STORM WORLD



HOSTILE ICY FOREST



SCORCHED WORLD

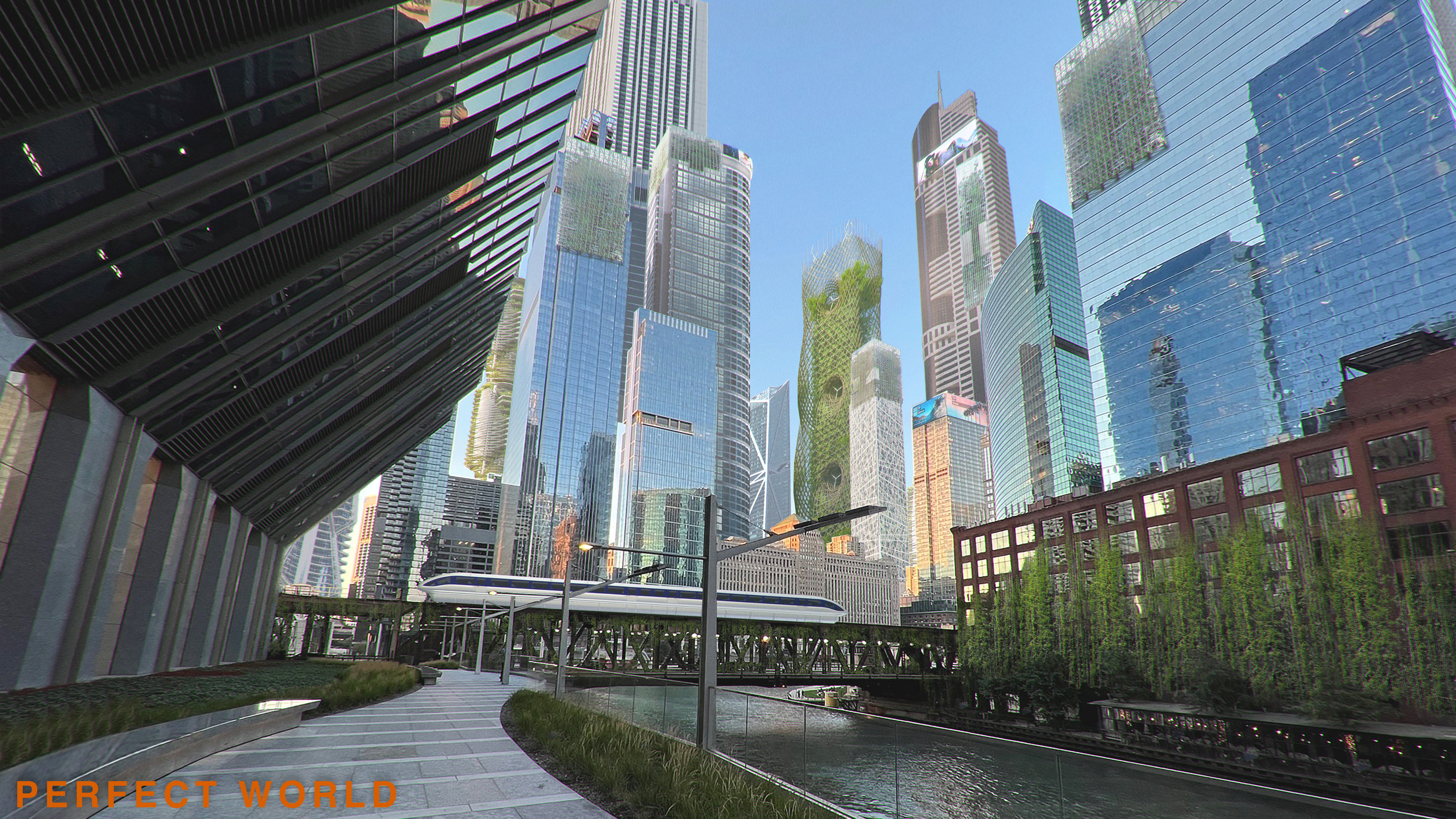
WIP



PERFECT WORLD

PROSECUTORS SEEK THREE-YEAR SENTENCE FOR DAUGHTER OF FBI





PERFECT WORLD



PERFECT WORLD